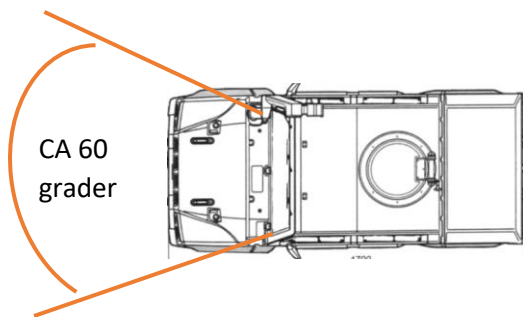




How to stop a vehicle:

1. 40mm airsoft grenade gas powered and with BBs are used.
2. If you have built a own alternative, it must be approved by the organizer. Contact us by email.
3. Safety distance 10 metres.
4. The car must be shot from the front in the windscreen so that the driver notes it. About 60 degrees.



Other:

It is not allowed to take cover under the car in any situation.

It is not allowed for other players to enter the car without permission from the driver.